



Red: PAINTED ITEMS
Blue: KITS

1. All labeled components are to be assembled before shipment unless otherwise noted.
2. All bearings are to be pressed in with force applied to outer ring only.
3. All hardware to be torqued to specs listed in chart below.
4. Special notes if any are shown below.

Number	S9PF/QTY.	DESCRIPTION	Number	S9PF/QTY.	DESCRIPTION
01-0011	1	1/2 -13 UNC x 3 Bolt	07-9953	3	SC COUNTERWEIGHT
01-1115	3	3/8 -16 UNC x 2 1/2 Bolt	08-2056	2	MOLDED SHAFT SPACER
01-1185	2	3/8 -16 UNC x 3 1/2 Bolt	09-1004	1	.500 ID X 3" CLOSED END
01-1321	1	1/2 -13 UNC x 2 1/2 Bolt	09-3055	2	2 X 4 11 GA FRAME PLUG
01-1351	1	1/2 -13 UNC x 3 1/4 Bolt	09-4060	2	Stop Bumper
01-1550	1	3/8 -16 UNC x 3 Bolt	09-5046	6	Nitro Plus Footpad
01-1553	1	3/8 -16 UNC x 4 1/2 Bolt	09-8000	1	Belt Keeper
01-1564	3	1/2 -13 UNC x 4 1/2 Bolt	09-8018	2	GUIDE ROD BUSHING
01-1566	1	1/2 -13 UNC x 5 1/2 Bolt	09-8025	2	VINYL CAP 1" ID X 1 1/2" LONG RED
01-2180	1	5/8-11 UNC x 1 1/2 Bolt	09-8323	2	2" MOLDED PULLEY
01-2289	2	5/8 -11 UNC x 10 1/4 Bolt	09-8329	1	WIDE PULLEY 3" DIA
01-4035	2	1/4 -20 UNC x 1 1/4 Wiz Lock Bolt	09-8330	1	REDIRECTIONAL PULLEY 4"
01-4038	1	BOLT BH , 1/2 -13 x 2 1/2"	09-9505	2	GRIP CAP 1.030 ID (FOR 1" BAR)
02-1060	2	BOLT BH , 1/4 -20 x 2 1/4"	09-9515	2	GRIP CAP 1.280 ID (FOR 1 1/4 BAR)
02-2290	4	SCREW AFH 1/4 -20 UNC x 1 1/4"	09-9590	2	TUBE INSERT .760 ID PN3043-4-1
02-9210	2	3/8 -16 UNC x 1 Bolt	09-9600	2	TUBE INSERT 1.010 ID PN3045-4-1
02-9250	1	3/8 -16 UNC x 2 1/4 Bolt	10-1022	1	Extension Spring
03-1035	4	3/8" Lock Nut	10-1025	1	SPRING, TORSION
03-1055	7	1/2" Nylon Insert Lock Nut-Thin	12-1001	1	SEAT INDICATOR BLACK
03-1067	2	5/8" Lock Nut	12-1026	2	DECAL, KEEP HANDS AWAY
03-2020	2	1/4" Lock Nut	12-1104	1	SEAT ADJUSTMENT DECAL 1-11
03-4290	2	1/4" Whiz Nut	12-1146	1	SEAT ADJ DECAL 1
03-5102	4	5/16" Hex Nut	12-1380	1	DECAL PATENT MEDFIT MADE IN USA
03-5103	1	3/8" Hex Nut	12-5611	1	Nautilus Transfer Decal - Large BLACK
04-5206	10	WASHER, FLAT, 3/8" SAE	12-6046	1	Made In USA - Seat Frames
04-5207	7	WASHER, FLAT, 1/2" SAE	12-6061	1	PLACARD & SHIELD FRONT S9PF
04-5208	2	WASHER, FLAT, 5/8" SAE	12-6074	1	PLACARD & SHIELD BACK S9IP, S9LATP, S9LR, S9OP, S9PF
04-5225	2	1/4" Internal Loc Washer	12-6116	1	Decal, Parts Diagram EVO PF
05-5105	2	.500 ID Bushing (IGUS Replacement)	12-7050	1	EVO Weight Selector Pin Decal
06-4076	2	CABLE W/STOP S4PF FIGURE 8	17-1306	2	GUIDE ROD
06-5044	1	NYLON BELT ROLLER LONG	18-0018 (111")	1	BELT MECTROL 111" Length
06-8180	1	Snap Ring, 1/2" External	19-1013	4	TAPE DBL SIDED 2 3/4" WIDE
06-8275	6	Snap Ring, 17mm Heavy External	19-1291	1	SERIAL NO. DECAL
07-5032	1	SEAT TRACK	32-0001	1	PAD SEAT STANDARD "ONE" CONTOURED
07-5033	1	SEAT TRACK BACK	32-0022	1	UPH. PAD BACK LONG
07-5034	3	SEAT ROLLERS	45-1062	4	1.005 ID BUSHING (IGUS REPLACEMENT)
07-5064	6	6203 RADIAL BEARING	57-0611	1	Pocket, Peel & Stick, Cardio Schematic
07-8230	1	STANDARD SEAT CLEVIS PIN	91-999	1	Paint (1.5 lbs)
07-8359	2	IDLER PULLEY SPACER	95-0474	1	Kit 5, EVO Shields
07-8363	2	IDLER PULLEY SPACER	BF607B	1	"PLUS" PEC FLY FRAME
07-8686	1	STANDARD SEAT 0 degree	LK631	1	BELT CLAMP
07-8982	2	STRAP CLAMP END (5/16 HOLES)	MA620B	1	NITRO "PLUS" LEFT MA
07-9376	3	SEAT ROLLER SLEEVE	MA621B	1	Right Side PF MA
07-9760	2	IDLER PULLEY SPACER	MA640	2	PEC FLY TRAILING ARMS
07-9850	4	1" BEARING MOLDED FLANGE	OPT-WT-25	1	EVO 240 LB Weight Stack
07-9901	2	PEC FLY MA AXLE SLEEVE	SE613	1	RELEASE HANDLE
			UP8071	2	UPHOLSTERY ROLLER

Customer Service & Parts 800/ 235-2233
General Parts Requests: parts@medfitsys.com
Warranty Field Service Requests: servicerequest@medfitsys.com
Med-Fit Systems, Inc. 800/ 831-7665

www.medfitsystems.com



EVO PEC FLY
S9PF

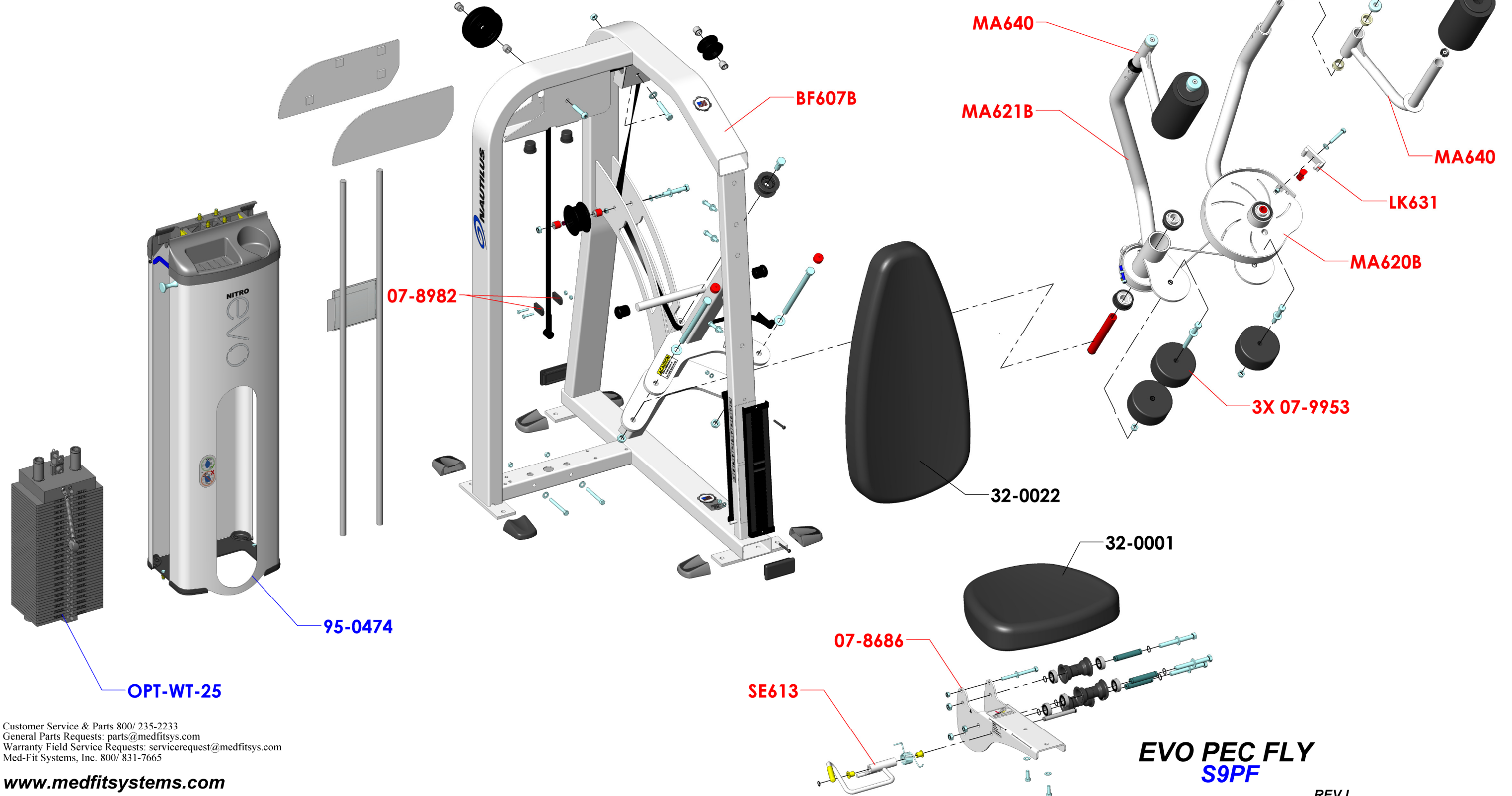
Bolt Torque Specifications		
Size	Grade 5	Grade 8
	Torque (ft-lbs)	Torque (ft-lbs)
1/4-20	8	12
1/4-28	10	14
5/16-18	17	25
3/8-16	30	45
7/16-14	50	70
1/2-13	75	110
1/2-20	90	120
5/8-11	150	220
5/8-18	180	240

REV L



Red: PAINTED ITEMS
Blue: KITS

1. All labeled components are to be assembled before shipment unless otherwise noted.
2. All bearings are to be pressed in with force applied to outer ring only.
3. All hardware to be torqued to specs listed in chart below.
4. Special notes if any are shown below.



Customer Service & Parts 800/ 235-2233
 General Parts Requests: parts@medfitsys.com
 Warranty Field Service Requests: servicerequest@medfitsys.com
 Med-Fit Systems, Inc. 800/ 831-7665

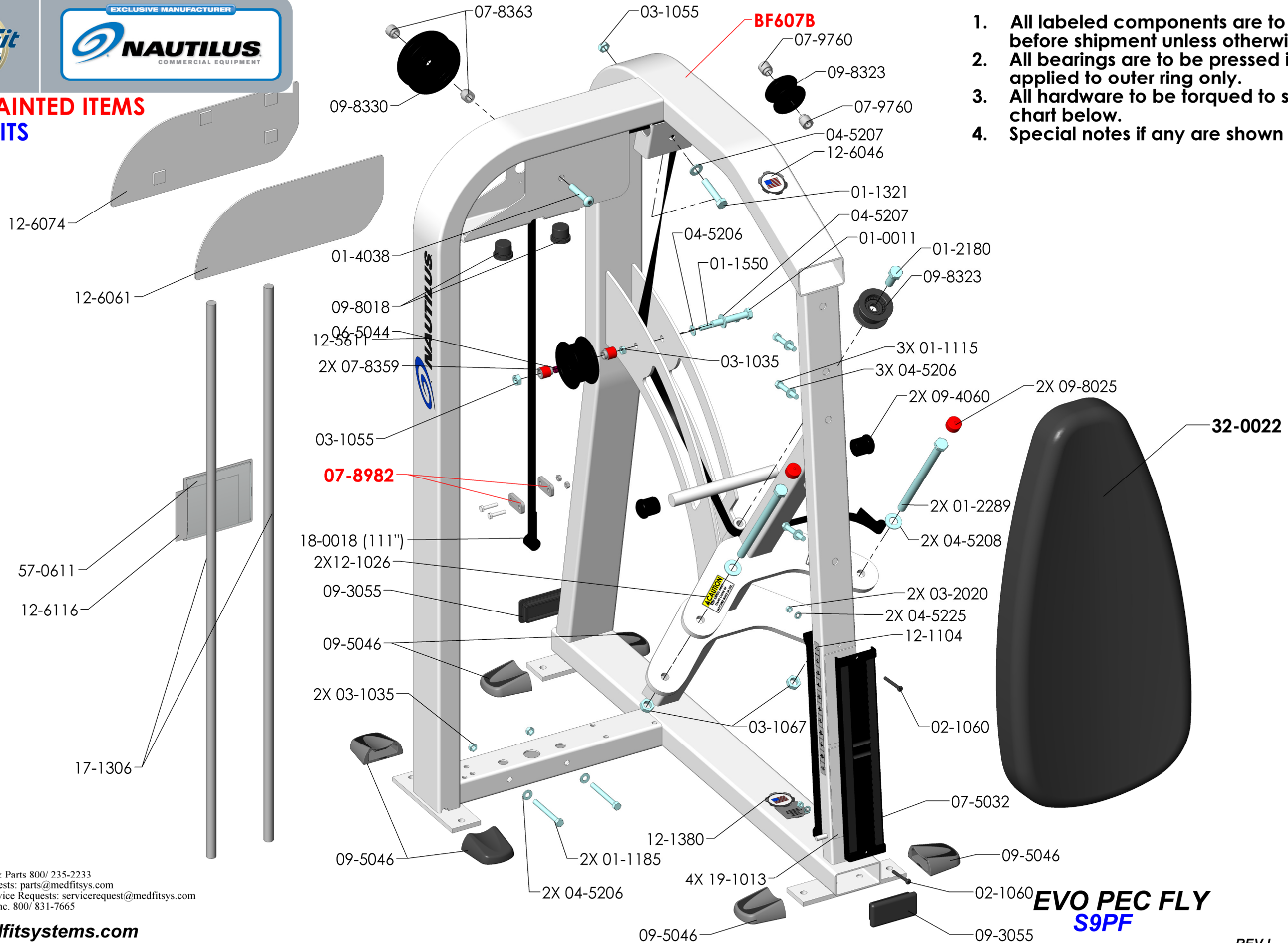
www.medfitsystems.com

EVO PEC FLY
S9PF

REV L



Red: PAINTED ITEMS
Blue: KITS



1. All labeled components are to be assembled before shipment unless otherwise noted.
2. All bearings are to be pressed in with force applied to outer ring only.
3. All hardware to be torqued to specs listed in chart below.
4. Special notes if any are shown below.

Customer Service & Parts 800/ 235-2233
General Parts Requests: parts@medfitsys.com
Warranty Field Service Requests: servicerequest@medfitsys.com
Med-Fit Systems, Inc. 800/ 831-7665

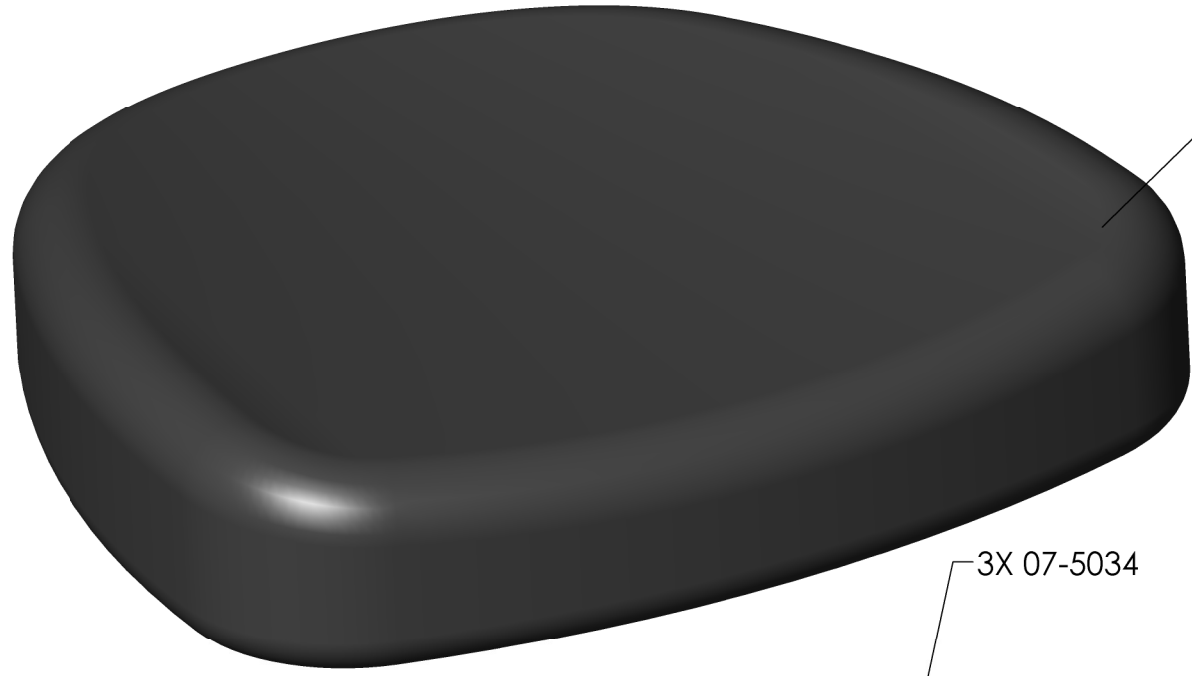
www.medfitsystems.com

EVO PEC FLY
S9PF

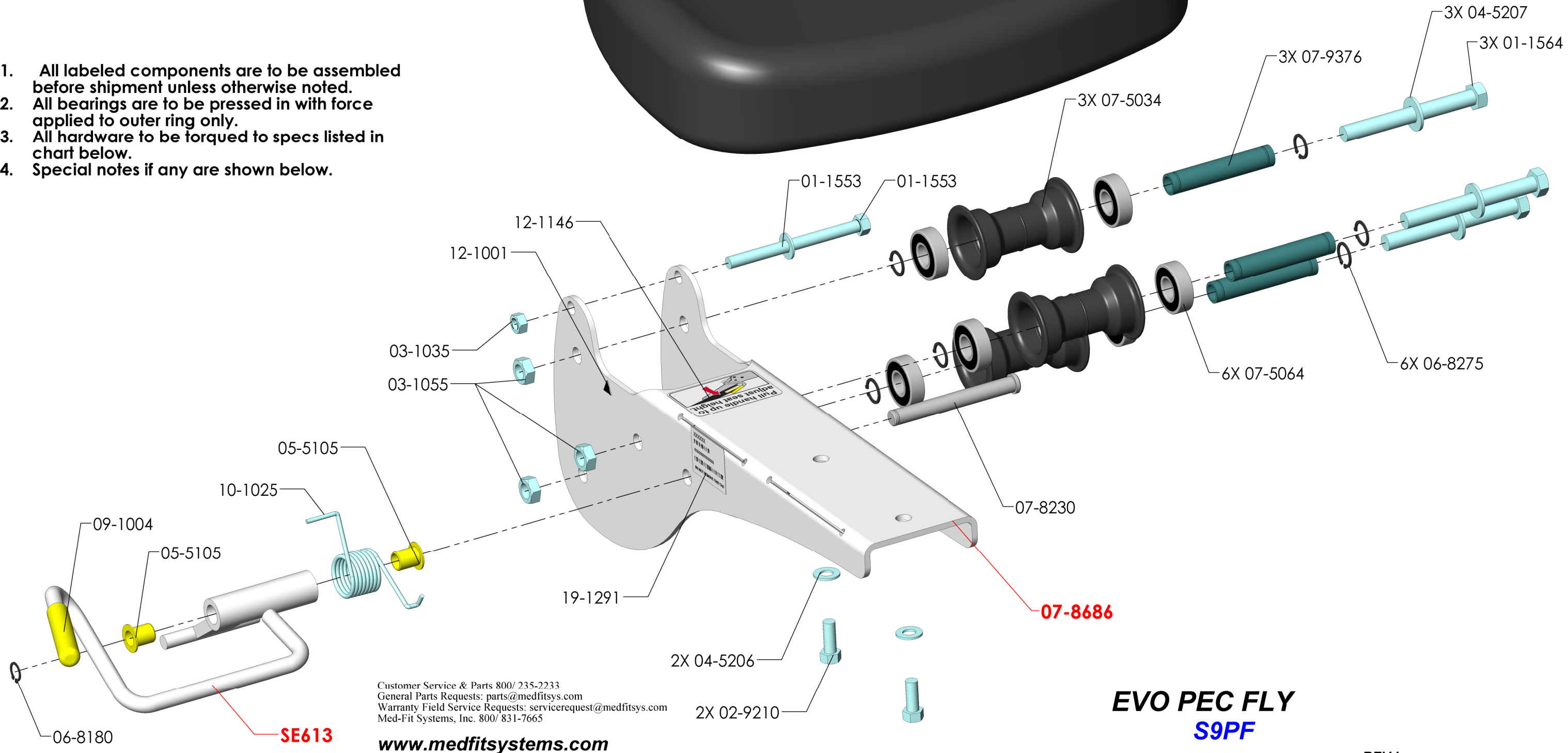
REV L



Red: PAINTED ITEMS
Blue: KITS



1. All labeled components are to be assembled before shipment unless otherwise noted.
2. All bearings are to be pressed in with force applied to outer ring only.
3. All hardware to be torqued to specs listed in chart below.
4. Special notes if any are shown below.



Customer Service & Parts 800/ 235-2233
 General Parts Requests: parts@medfitsys.com
 Warranty Field Service Requests: servicerequest@medfitsys.com
 Med-Fit Systems, Inc. 800/ 831-7665

www.medfitsystems.com

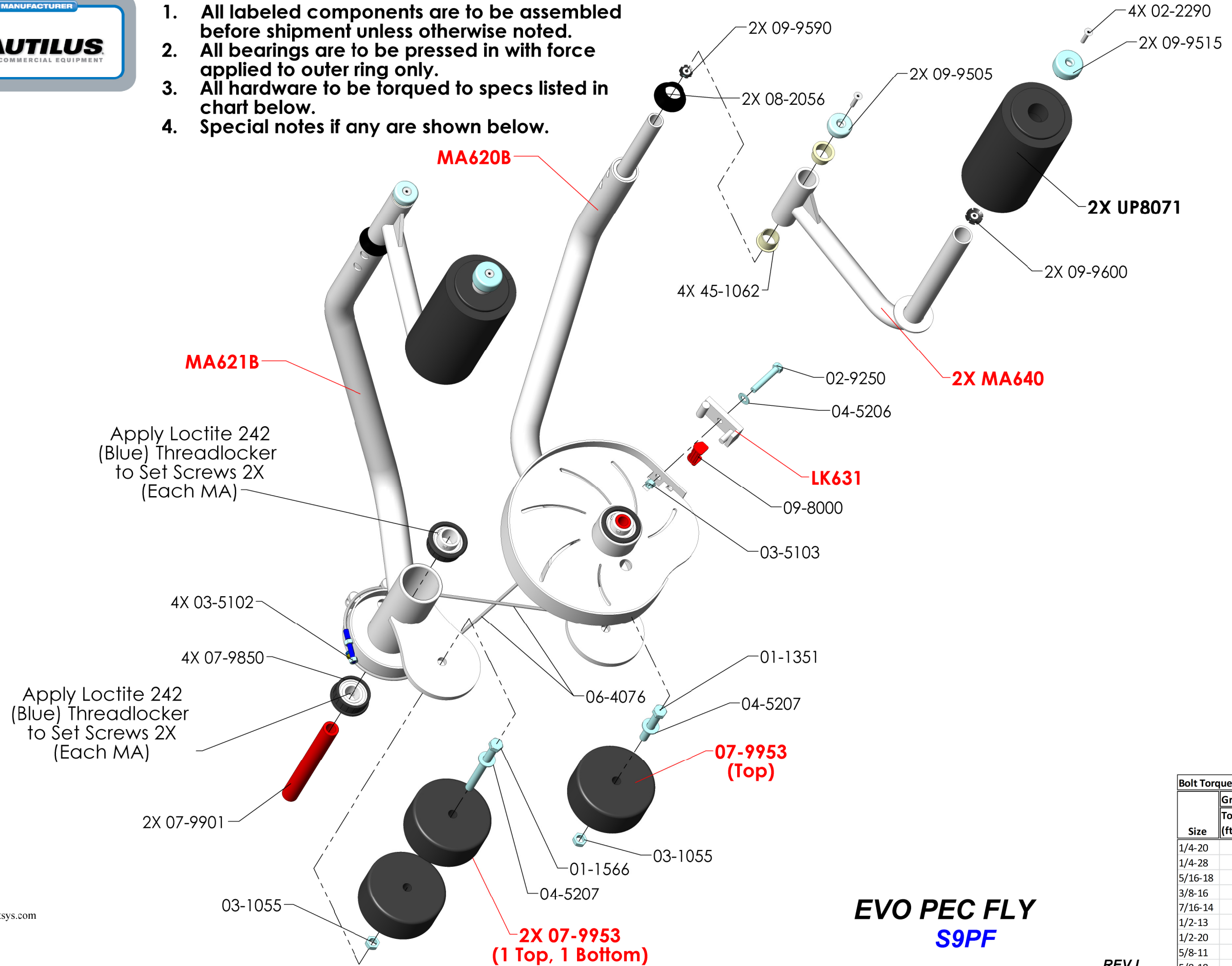
EVO PEC FLY
S9PF

REV L



Red: PAINTED ITEMS
Blue: KITS

1. All labeled components are to be assembled before shipment unless otherwise noted.
2. All bearings are to be pressed in with force applied to outer ring only.
3. All hardware to be torqued to specs listed in chart below.
4. Special notes if any are shown below.



Bolt Torque Specifications		
Size	Grade 5	Grade 8
	Torque (ft-lbs)	Torque (ft-lbs)
1/4-20	8	12
1/4-28	10	14
5/16-18	17	25
3/8-16	30	45
7/16-14	50	70
1/2-13	75	110
1/2-20	90	120
5/8-11	150	220
5/8-18	180	240

Customer Service & Parts 800/ 235-2233
 General Parts Requests: parts@medfitsys.com
 Warranty Field Service Requests: servicerequest@medfitsys.com
 Med-Fit Systems, Inc. 800/ 831-7665

www.medfitsystems.com

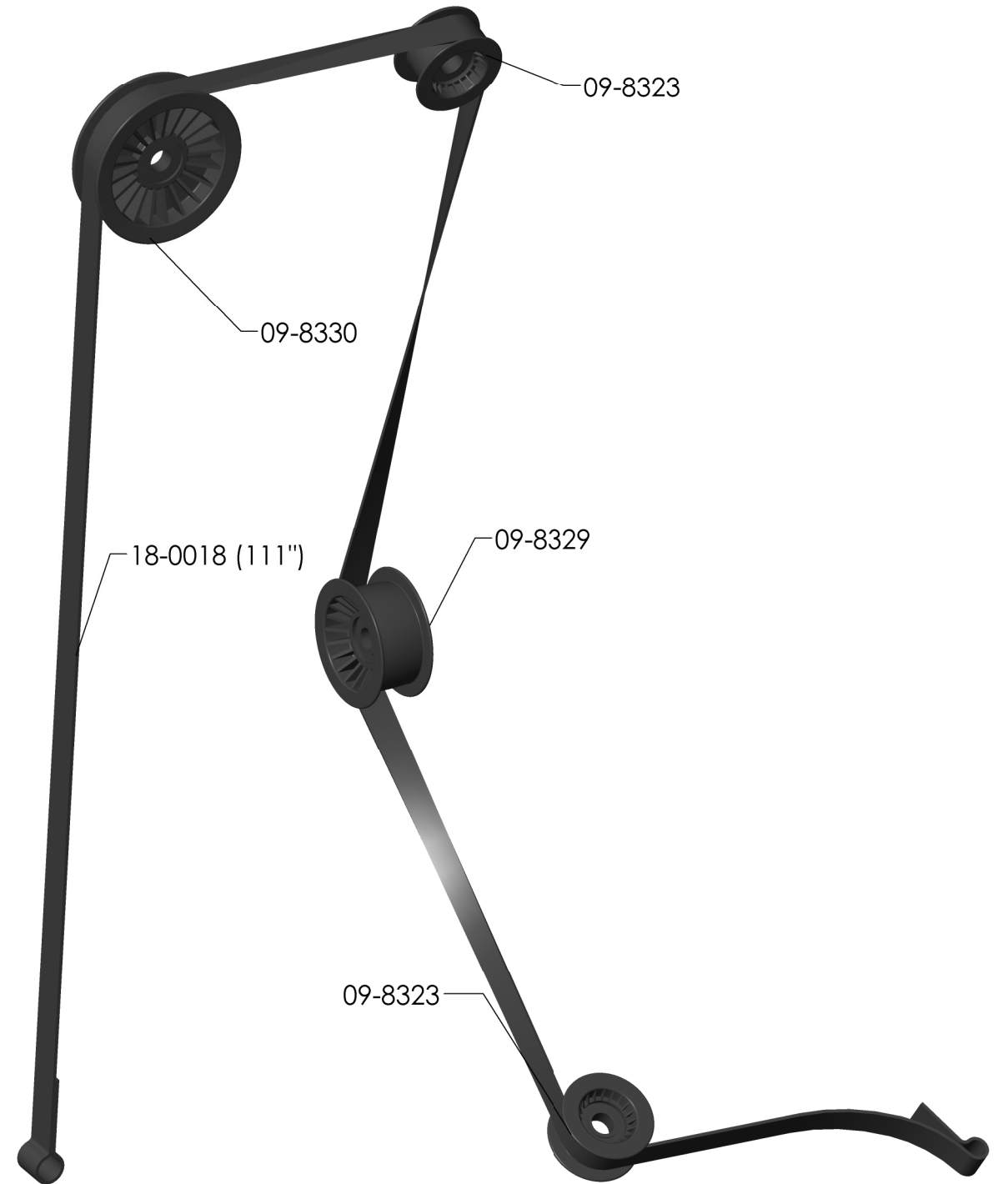
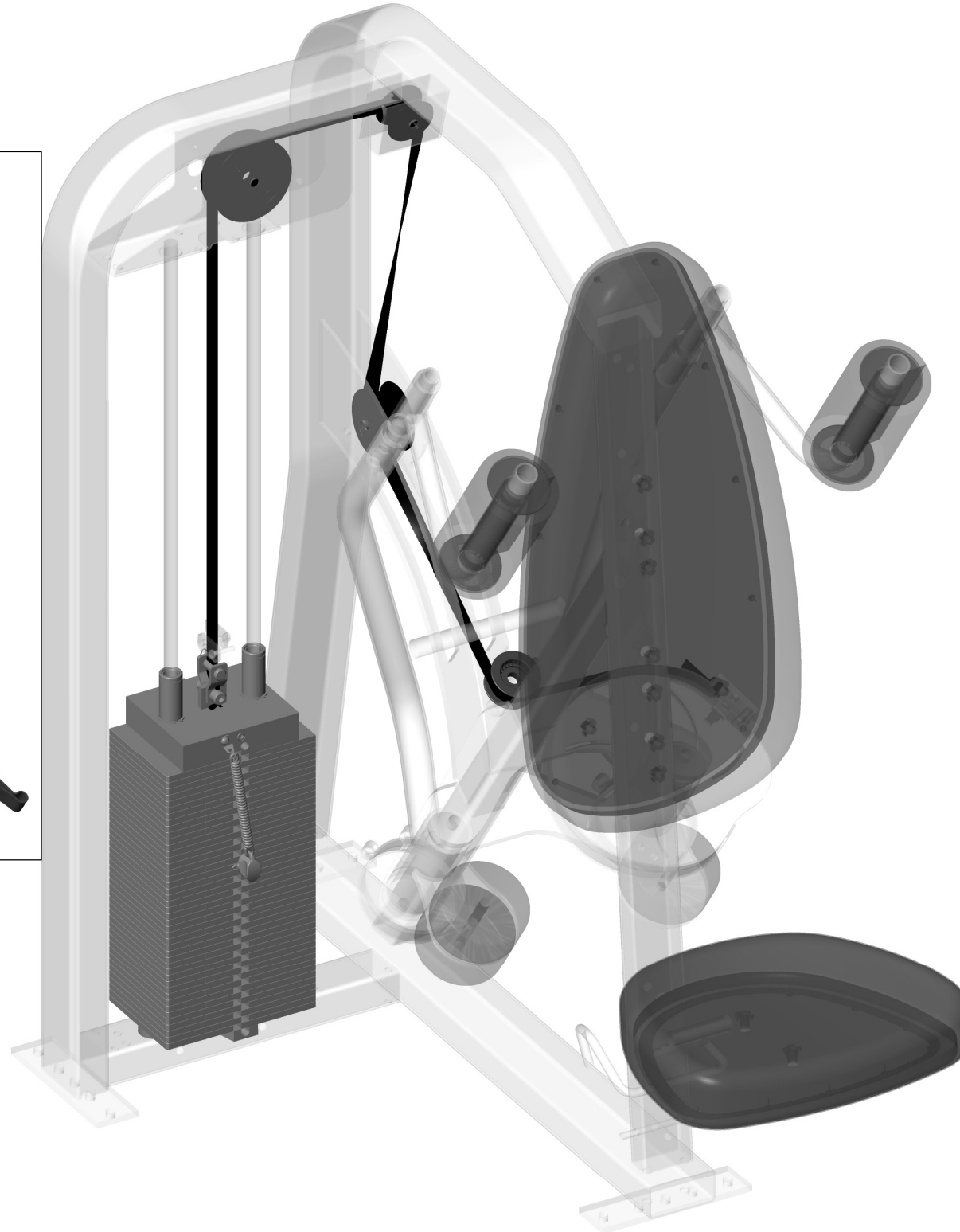
EVO PEC FLY
S9PF

REV L



Red: PAINTED ITEMS
Blue: KITS

1. All labeled components are to be assembled before shipment unless otherwise noted.
2. All bearings are to be pressed in with force applied to outer ring only.
3. All hardware to be torqued to specs listed in chart below.
4. Special notes if any are shown below.



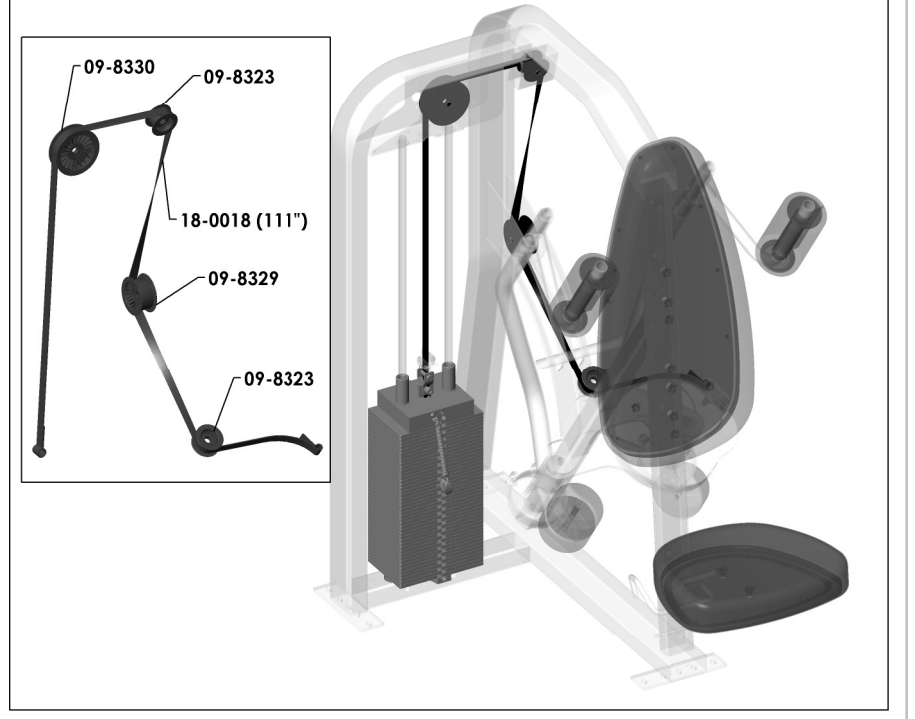
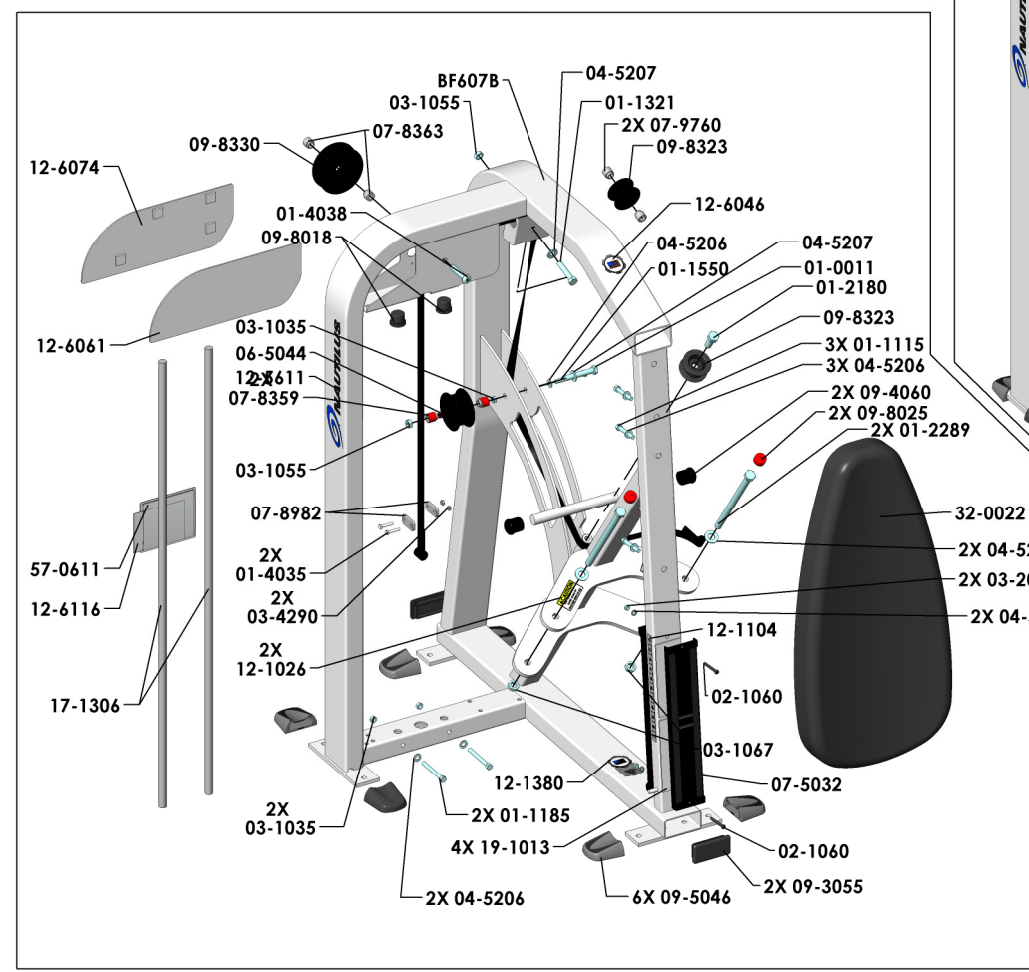
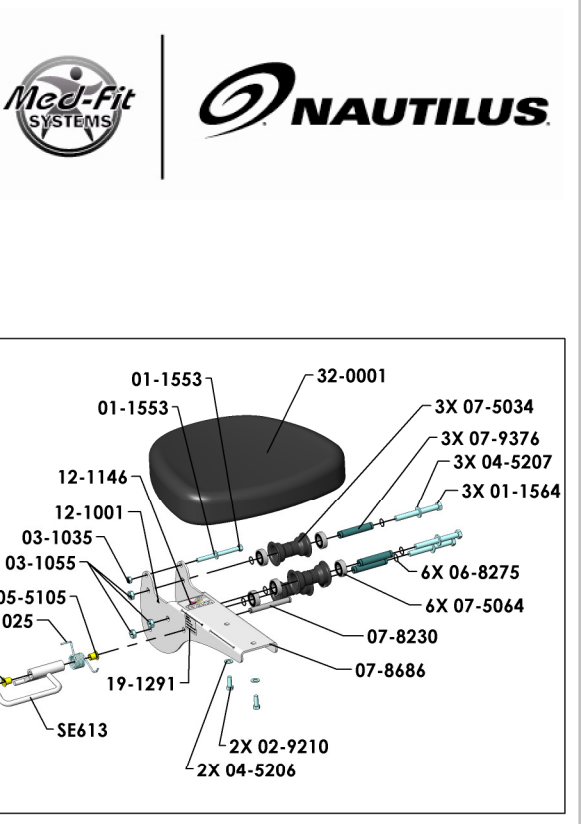
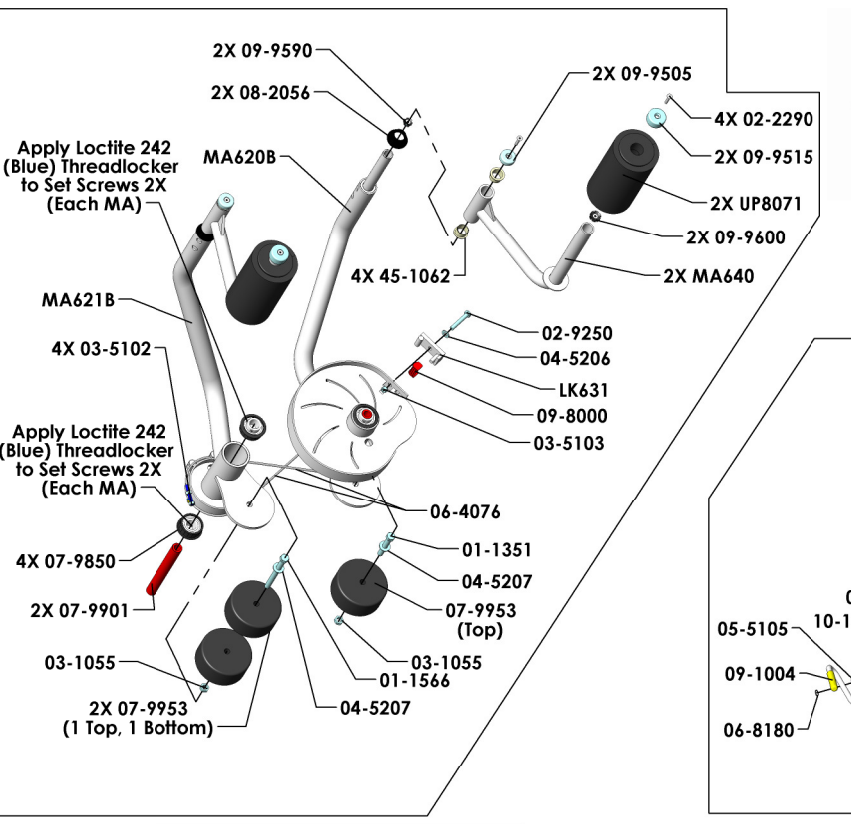
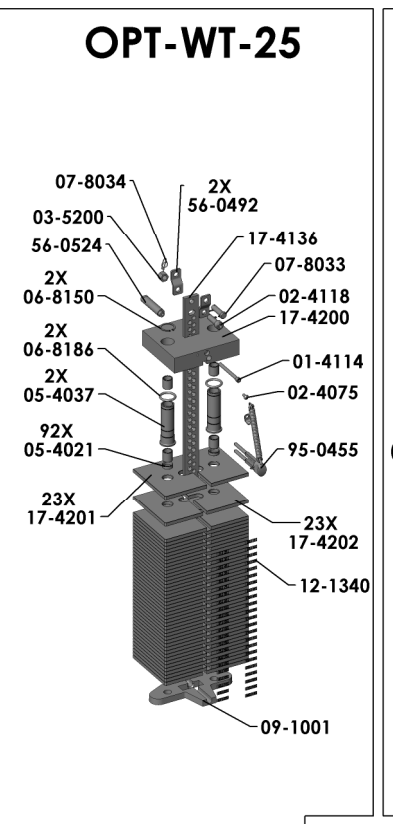
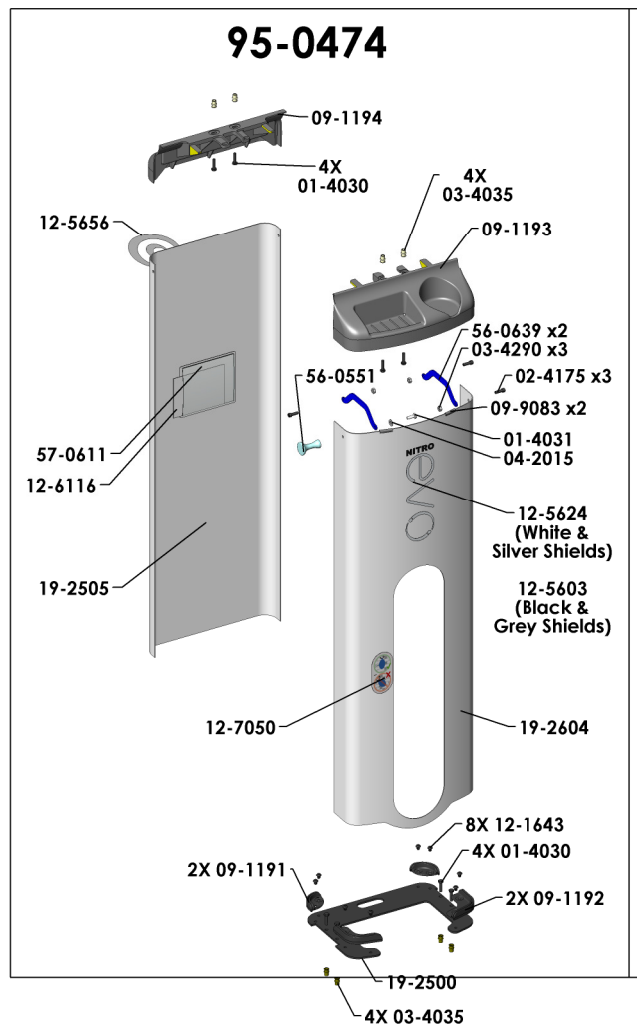
Customer Service & Parts 800/ 235-2233
General Parts Requests: parts@medfitsys.com
Warranty Field Service Requests: servicerequest@medfitsys.com
Med-Fit Systems, Inc. 800/ 831-7665

www.medfitsystems.com

EVO PEC FLY
S9PF

REV L

Number	S9PF/QTY	DESCRIPTION
01-0011	1	1/2 -13 UNC x 3 Bolt
01-1115	3	3/8 -16 UNC x 2 1/2 Bolt
01-1185	2	3/8 -16 UNC x 3 1/2 Bolt
01-1321	1	1/2 -13 UNC x 2 1/2 Bolt
01-1351	1	1/2 -13 UNC x 3 1/4 Bolt
01-1550	1	3/8 -16 UNC x 3 Bolt
01-1553	1	3/8 -16 UNC x 4 1/2 Bolt
01-1564	3	1/2 -13 UNC x 4 1/2 Bolt
01-1566	1	1/2 -13 UNC x 5 1/2 Bolt
01-2180	1	5/8-11 UNC x 1 1/2 Bolt
01-2289	2	5/8 -11 UNC x 10 1/4 Bolt
01-4035	2	1/4 -20 UNC x 1 1/4 Wiz Lock Bolt
01-4038	1	BOLT BH, 1/2 -13 x 2 1/2"
02-1060	2	BOLT BH, 1/4 -20 x 2 1/4"
02-2290	4	SCREW AFH 1/4 -20 UNC x 1 1/4"
02-9210	2	3/8 -16 UNC x 1 Bolt
02-9250	1	3/8 -16 UNC x 2 1/4 Bolt
03-1035	4	3/8" Lock Nut
03-1055	7	1/2" Nylon Insert Lock Nut-Thin
03-1067	2	5/8" Lock Nut
03-2020	2	1/4" Lock Nut
03-4290	2	1/4" Whiz Nut
03-5102	4	5/16" Hex Nut
03-5103	1	3/8" Hex Nut
04-5206	10	WASHER, FLAT, 3/8" SAE
04-5207	7	WASHER, FLAT, 1/2" SAE
04-5208	2	WASHER, FLAT, 5/8" SAE
04-5225	2	1/4" Internal Loc Washer
05-5105	2	.500 ID Bushing (IGUS Replacement)
06-4076	2	CABLE W/STOP S4PF FIGURE 8
06-5044	1	NYLON BELT ROLLER LONG
06-8180	1	Snap Ring, 1/2" External
06-8275	6	Snap Ring, 17mm Heavy External
07-5032	1	SEAT TRACK
07-5033	1	SEAT TRACK BACK
07-5034	3	SEAT ROLLERS
07-5064	6	6203 RADIAL BEARING
07-8230	1	STANDARD SEAT CLEVIS PIN
07-8359	2	IDLER PULLEY SPACER
07-8363	2	IDLER PULLEY SPACER
07-8686	1	STANDARD SEAT 0 degree
07-8982	2	STRAP CLAMP END (5/16 HOLES)
07-9376	3	SEAT ROLLER SLEEVE
07-9760	2	IDLER PULLEY SPACER
07-9850	4	1" BEARING MOLDED FLANGE
07-9901	2	PEC FLY MA AXLE SLEEVE
07-9953	3	SC COUNTERWEIGHT
08-2056	2	MOLDED SHAFT SPACER
09-1004	1	.500 ID X 3" CLOSED END
09-3055	2	2 X 4 11 GA FRAME PLUG
09-4060	2	Stop Bumper
09-5046	6	Nitro Plus Footpad
09-8000	1	Belt Keeper
09-8018	2	GUIDE ROD BUSHING
09-8025	2	VINYL CAP 1" ID X 1/2" LONG RED
09-8323	2	2" MOLDED PULLEY
09-8329	1	WIDE PULLEY 3" DIA
09-8330	1	REDIRECTIONAL PULLEY 4"
09-9505	2	GRIP CAP 1.030 ID (FOR 1" BAR)
09-9515	2	GRIP CAP 1.280 ID (FOR 1 1/4 BAR)
09-9590	2	TUBE INSERT .760 ID PN3043-4-1
09-9600	2	TUBE INSERT 1.010 ID PN3045-4-1
10-1022	1	Extension Spring
10-1025	1	SPRING, TORSION
12-1001	1	SEAT INDICATOR BLACK
12-1026	2	DECAL, KEEP HANDS AWAY
12-1104	1	SEAT ADJUSTMENT DECAL 1-11
12-1146	1	SEAT ADJ DECAL 1
12-1380	1	DECAL PATENT MEDFIT MADE IN USA
12-5611	1	Nautilus Transfer Decal - Large BLACK
12-6046	1	Made In USA - Seat Frames
12-6061	1	PLACARD & SHIELD FRONT S9PF
12-6074	1	PLACARD & SHIELD BACK S9IP, S9LATP, S9LR, S9OP, S9PF
12-6116	1	Decal, Parts Diagram EVO PF
12-7050	1	EVO Weight Selector Pin Decal
17-1306	2	GUIDE ROD
18-0018 (111")	1	BELT MECTROL 111" Length
19-1013	4	TAPE DBL SIDED 2 3/4" WIDE
19-1291	1	SERIAL NO. DECAL
32-0001	1	PAD SEAT STANDARD "ONE" CONTOURED
32-0022	1	UPH. PAD BACK LONG
45-1062	4	1.005 ID BUSHING (IGUS REPLACEMENT)
57-0611	1	Pocket, Peel & Stick, Cardio Schematic
91-999	1	Paint (1.5 lbs)
95-0474	1	Kit 5, EVO Shields
BF607B	1	"PLUS" PEC FLY FRAME
LK631	1	BELT CLAMP
MA620B	1	NITRO "PLUS" LEFT MA
MA621B	1	Right Side PF MA
MA640	2	PEC FLY TRAILING ARMS
OPT-WT-25	1	EVO 240 LB Weight Stack
SE613	1	RELEASE HANDLE
UP8071	2	UPHOLSTERY ROLLER



EVO PEC FLY S9PF

Customer Service & Parts 800/ 235-2233
 General Parts Requests: parts@medfitsys.com
 Warranty Field Service Requests: servicerequest@medfitsys.com
 Med-Fit Systems, Inc. 800/ 831-7665

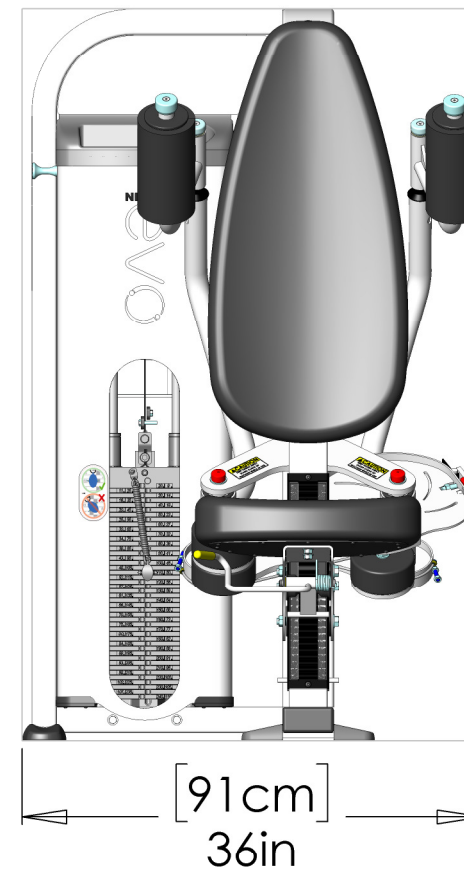
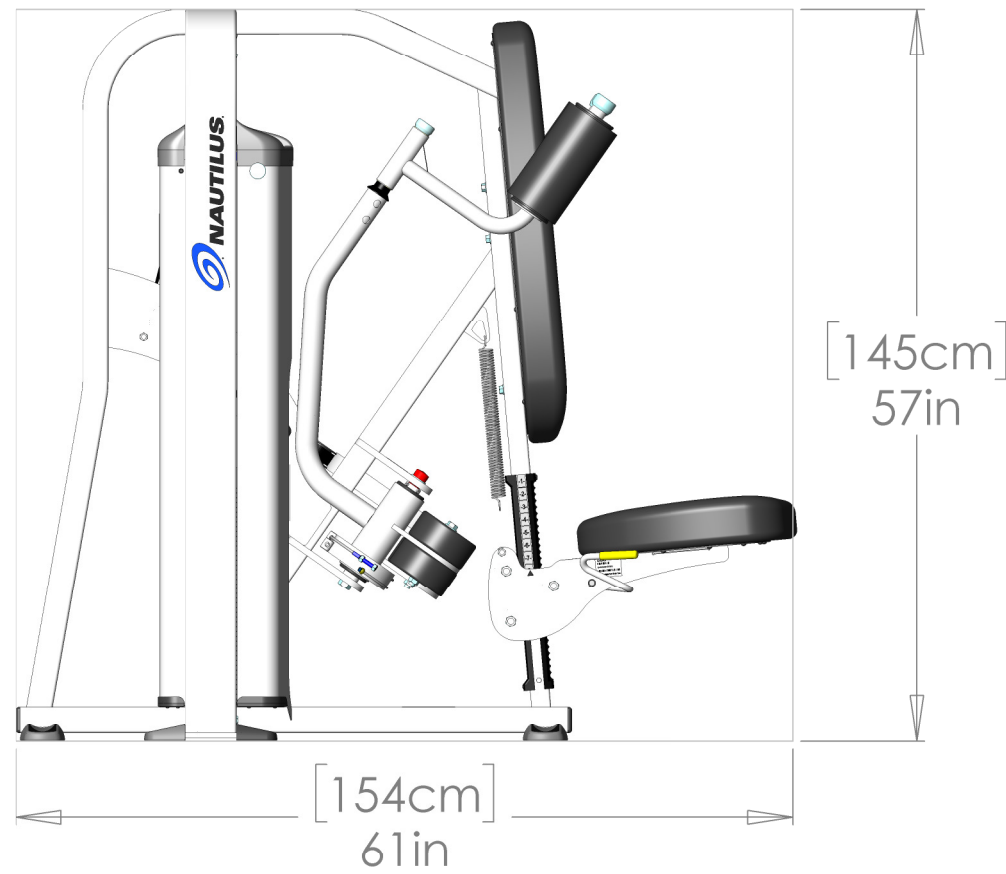
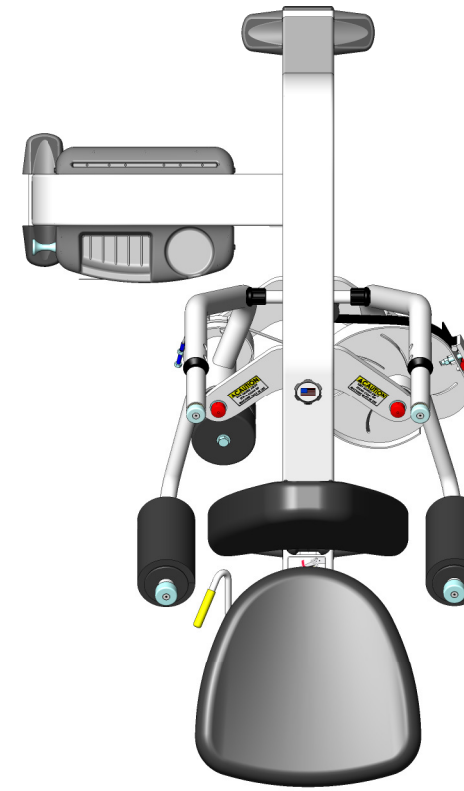
www.medfitsystems.com

Size	Grade 5	Grade 8
	Torque (ft-lbs)	Torque (ft-lbs)
1/4-20	8	12
1/4-28	10	14
5/16-18	17	25
3/8-16	30	45
7/16-14	50	70
1/2-13	75	110
1/2-20	90	120
5/8-11	150	220
5/8-18	180	240



Customer Service & Parts 800/ 235-2233
General Parts Requests: parts@medfitsys.com
Warranty Field Service Requests: servicerequest@medfitsys.com
Med-Fit Systems, Inc. 800/ 831-7665

www.medfitsystems.com



EVO PEC FLY
S9PF
REV L